

REMOVAL

CAUTION:

Some of these service operations affect the SRS airbag system. Read the precautionary notices concerning the SRS airbag system before servicing (See page [RS-1](#)).

HINT:

Use the same procedure for both the RH and LH sides.

1. **BOLTS, SCREWS AND NUTS TABLE** (See page [IP-9](#))
2. **DISCONNECT CABLE FROM NEGATIVE BATTERY TERMINAL**
Wait for at least 90 seconds after disconnecting the cable to prevent the airbag from working.
3. **DISCHARGE REFRIGERANT FROM REFRIGERATION SYSTEM** (See page [AC-16](#))
4. **DRAIN ENGINE COOLANT** (See page [CO-3](#))
5. **REMOVE ROOF ANTENNA POLE SUB-ASSEMBLY** (See page [AV-116](#))
6. **REMOVE WINDSHIELD WIPER ARM COVER** (See page [WW-25](#))
7. **REMOVE FRONT WIPER ARM AND BLADE ASSEMBLY LH** (See page [WW-26](#))
8. **REMOVE FRONT WIPER ARM AND BLADE ASSEMBLY RH (CENTER SIDE)** (See page [WW-26](#))
9. **REMOVE FRONT WIPER ARM AND BLADE ASSEMBLY RH** (See page [WW-26](#))
10. **REMOVE FRONT FENDER SIDE PANEL UPPER LH** (See page [WW-26](#))
11. **REMOVE ANTENNA ORNAMENT** (See page [WW-26](#))
12. **REMOVE FRONT FENDER SIDE PANEL UPPER RH** (See page [WW-26](#))
13. **REMOVE COWL TOP VENTILATOR LOUVER ASSEMBLY** (See page [WW-27](#))
14. **REMOVE COWL TOP VENTILATOR LOUVER RH** (See page [WW-27](#))
15. **REMOVE COWL TOP VENTILATOR LOUVER LH** (See page [WW-27](#))
16. **DISCONNECT COOLER REFRIGERANT SUCTION PIPE A**

- (a) Install SST onto the piping clamp.

SST 09870-00015

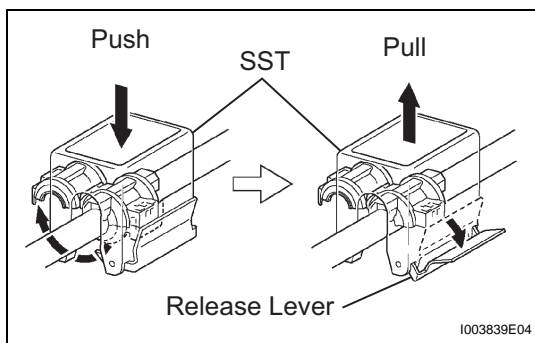
HINT:

Check the directions of the piping clamp and SST by referring to the illustration on the caution label.

- (b) Push down SST and release the clamp lock.

NOTICE:

Do not deform the tube when pushing SST.



- (c) Pull SST slightly, push the release lever, and then remove the piping clamp with SST.
- (d) Disconnect the suction pipe.

NOTICE:

- Do not use any tools when disconnecting the pipe.
- Seal the openings of the disconnected parts using vinyl tape to prevent moisture and foreign matter from entering.

17. DISCONNECT COOLER REFRIGERANT LIQUID PIPE A

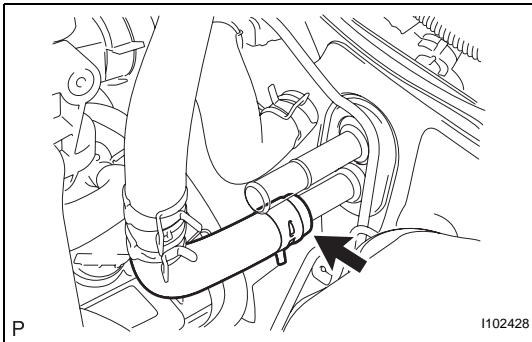
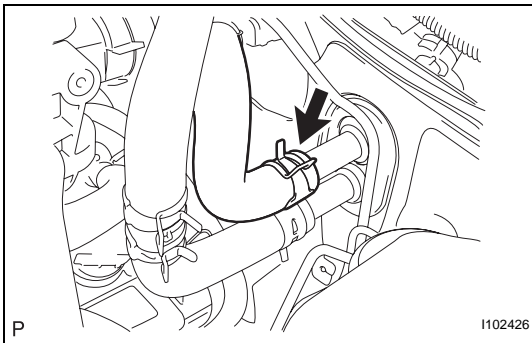
SST 09870-00025

HINT:

Disconnection procedure of the liquid pipe is the same as for the suction pipe.

18. DISCONNECT HEATER INLET WATER HOSE

- (a) Using pliers, grip the claw of the clip, slide the clip and disconnect the heater water inlet hose from the heater unit.



19. DISCONNECT HEATER WATER OUTLET HOSE A (FROM HEATER UNIT)

- (a) Using pliers, grip the claw of the clip, slide the clip and disconnect the heater water outlet hose from the heater unit.

20. POSITION FRONT WHEELS FACING STRAIGHT AHEAD

21. REMOVE LOWER NO. 3 STEERING WHEEL COVER (See page RS-345)

22. REMOVE LOWER NO. 2 STEERING WHEEL COVER (See page RS-345)

23. REMOVE STEERING PAD (See page RS-346)

24. REMOVE STEERING WHEEL ASSEMBLY (See page SR-8)

25. REMOVE LOWER STEERING COLUMN COVER (See page SR-8)

26. REMOVE UPPER STEERING COLUMN COVER (See page SR-8)

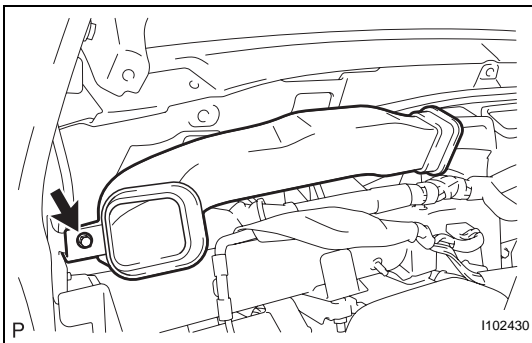
27. REMOVE COMBINATION SWITCH ASSEMBLY (See page SR-9)

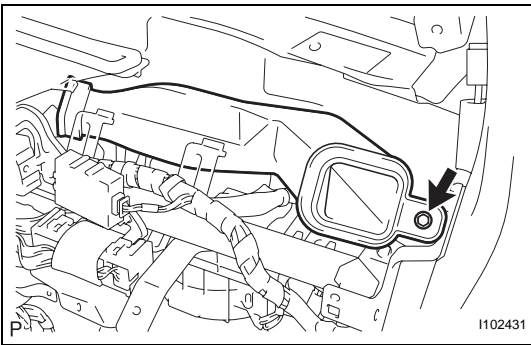
28. REMOVE FRONT DOOR SCUFF PLATE RH (See page IR-15)

29. REMOVE FRONT DOOR SCUFF PLATE LH (See page [IR-15](#))
30. REMOVE FRONT FLOOR FOOTREST (See page [IR-2](#))
31. REMOVE FOOTREST CLIP (See page [IR-2](#))
32. REMOVE COWL SIDE TRIM BOARD RH (See page [IR-15](#))
33. REMOVE COWL SIDE TRIM BOARD LH (See page [IR-15](#))
34. REMOVE FRONT DOOR OPENING TRIM WEATHERSTRIP RH (See page [IP-10](#))
35. REMOVE FRONT DOOR OPENING TRIM WEATHERSTRIP RH (See page [IP-10](#))
36. REMOVE ASSIST GRIP PLUG (See page [IR-17](#))
37. REMOVE ASSIST GRIP ASSEMBLY (See page [IR-17](#))
38. REMOVE FRONT PILLAR GARNISH RH (See page [IR-18](#))
39. REMOVE FRONT PILLAR GARNISH LH (See page [IR-18](#))
40. REMOVE INSTRUMENT PANEL GARNISH LH (See page [IP-10](#))
41. REMOVE INSTRUMENT PANEL GARNISH RH (See page [IP-10](#))
42. REMOVE INTEGRATION CONTROL AND PANEL ASSEMBLY (See page [IP-11](#))
43. REMOVE RADIO RECEIVER ASSEMBLY (See page [AV-55](#))
44. REMOVE PARKING BRAKE HOLE COVER SUB-ASSEMBLY (See page [IP-11](#))
45. REMOVE SHIFT LEVER KNOB SUB-ASSEMBLY (for Manual Transmission) (See page [IP-11](#))
46. REMOVE SHIFT LEVER KNOB SUB-ASSEMBLY (for 4WD) (See page [IP-11](#))
47. REMOVE CONSOLE UPPER REAR PANEL SUB-ASSEMBLY (See page [IP-12](#))
48. REMOVE BOX BOTTOM MAT (See page [IP-12](#))
49. REMOVE FRONT CONSOLE BOX (See page [IP-12](#))
50. REMOVE CONSOLE UPPER PANEL NO. 1 GARNISH (See page [IP-10](#))
51. REMOVE INSTRUMENT LOWER COVER SUB-ASSEMBLY (See page [IP-13](#))
52. REMOVE NO. 1 INSTRUMENT PANEL REGISTER ASSEMBLY (See page [IP-13](#))

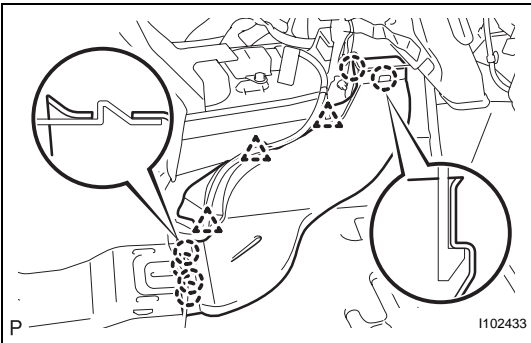
53. SEPARATE HOOD LOCK CONTROL LEVER SUB-ASSEMBLY (See page [IP-13](#))
54. REMOVE LOWER INSTRUMENT PANEL FINISH PANEL SUB-ASSEMBLY LH (See page [IP-14](#))
55. REMOVE LOWER INSTRUMENT PANEL LH (See page [IP-14](#))
56. REMOVE INSTRUMENT CLUSTER FINISH PANEL (See page [IP-14](#))
57. REMOVE COMBINATION METER ASSEMBLY (See page [IP-14](#))
58. REMOVE GLOVE COMPARTMENT DOOR ASSEMBLY (See page [IP-15](#))
59. REMOVE INSTRUMENT PANEL LOWER FINISH PANEL SUB-ASSEMBLY RH (See page [IP-15](#))
60. REMOVE NO. 2 INSTRUMENT PANEL REGISTER ASSEMBLY (See page [IP-16](#))
61. REMOVE NO. 2 INSTRUMENT PANEL SPEAKER PANEL SUB-ASSEMBLY (See page [IP-16](#))
62. REMOVE NO. 1 INSTRUMENT PANEL SPEAKER PANEL SUB-ASSEMBLY (See page [IP-16](#))
63. REMOVE FRONT NO. 2 SPEAKER ASSEMBLY (See page [AV-62](#))
64. REMOVE ASSIST GRIP RETAINER RH (See page [IP-16](#))
65. REMOVE ASSIST GRIP RETAINER LH (See page [IP-16](#))
66. DISCONNECT PASSENGER AIRBAG CONNECTOR (See page [IP-16](#))
67. REMOVE INSTRUMENT PANEL SUB-ASSEMBLY (See page [IP-16](#))
68. REMOVE INSTRUMENT PANEL FINISH PANEL END LH (See page [IP-21](#))
69. REMOVE NO. 1 HEATER TO REGISTER DUCT
 - (a) Remove the screw and remove the heater to register duct.

AC

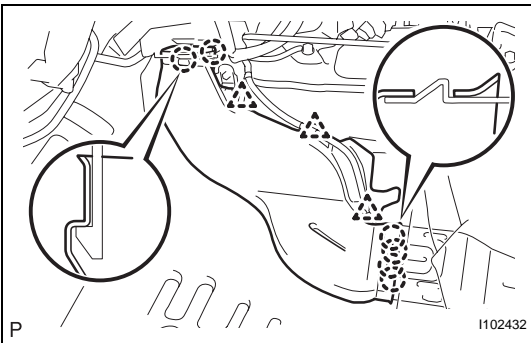


**70. REMOVE NO. 2 HEATER TO REGISTER DUCT**

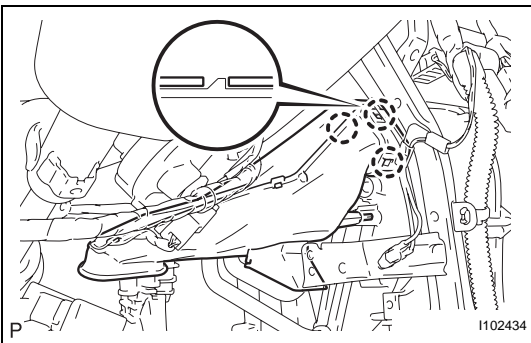
- (a) Remove the screw and remove the heater to register duct.

**71. REMOVE REAR NO. 1 AIR DUCT**

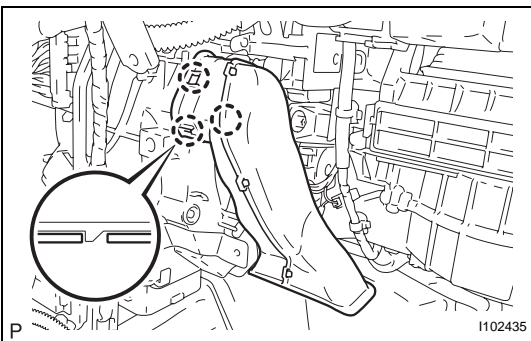
- (a) Disengage the 6 claws and 3 clamps and remove the rear air duct.

**72. REMOVE REAR NO. 2 AIR DUCT**

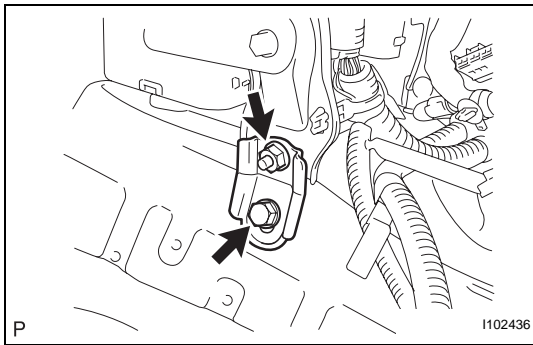
- (a) Disengage the 6 claws and 3 clamps and remove the rear air duct.

**73. REMOVE NO. 1 AIR DUCT**

- (a) Disengage the 3 claws and remove the air duct.

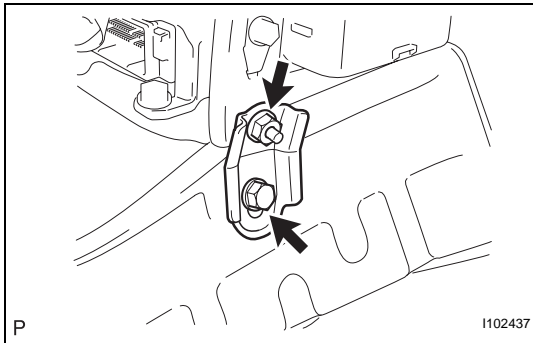
**74. REMOVE NO. 2 AIR DUCT**

- (a) Disengage the 3 claws and remove the air duct.



75. REMOVE NO. 1 INSTRUMENT PANEL BRACE MOUNTING BRACKET

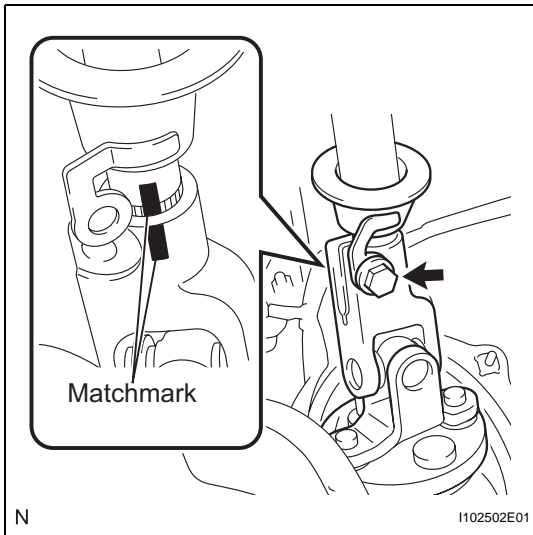
- (a) for LH side:
 (1) Remove the bolt and nut and remove the instrument panel brace mounting bracket.



- (b) for RH side:
 (1) Remove the bolt and nut and remove the instrument panel brace mounting bracket.

76. REMOVE ECM (See page [ES-446](#))

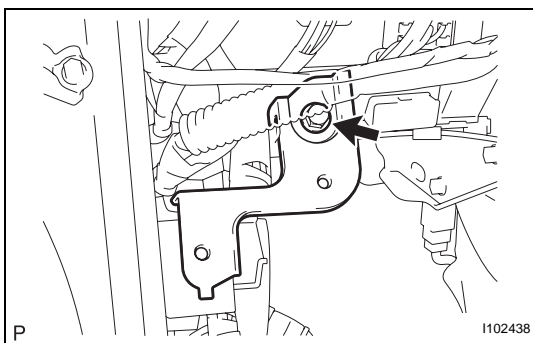
77. REMOVE STEERING COLUMN HOLE COVER (See page [SR-9](#))



78. SEPARATE STEERING INTERMEDIATE SHAFT ASSEMBLY

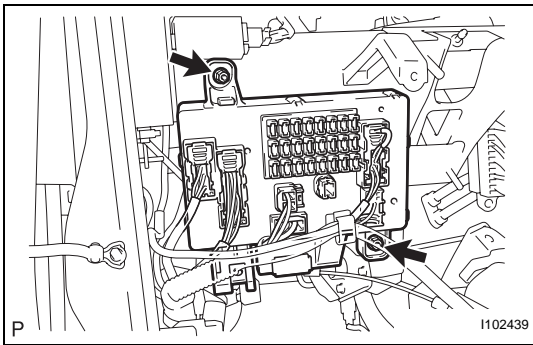
- (a) Remove the bolt and separate the steering shaft thrust stopper from the steering intermediate shaft assembly.
 (b) Mark matchmarks on the steering column assembly and steering intermediate shaft.
 (c) Pull the intermediate shaft assembly and steering shaft thrust stopper out of the steering column assembly.

79. REMOVE STEERING COLUMN ASSEMBLY (See page [SR-10](#))

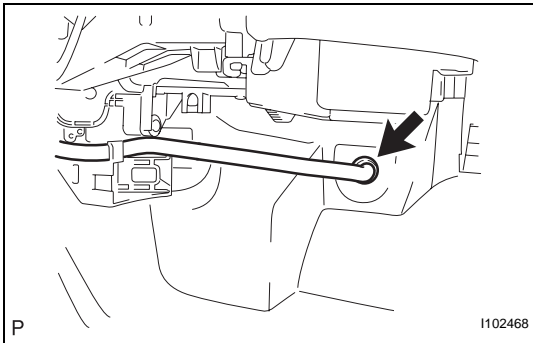


80. REMOVE INSTRUMENT PANEL SIDE BRACKET

- (a) Remove the bolt and remove the instrument panel side bracket.

**81. SEPARATE MAIN BODY ECU (DRIVER SIDE J/B)**

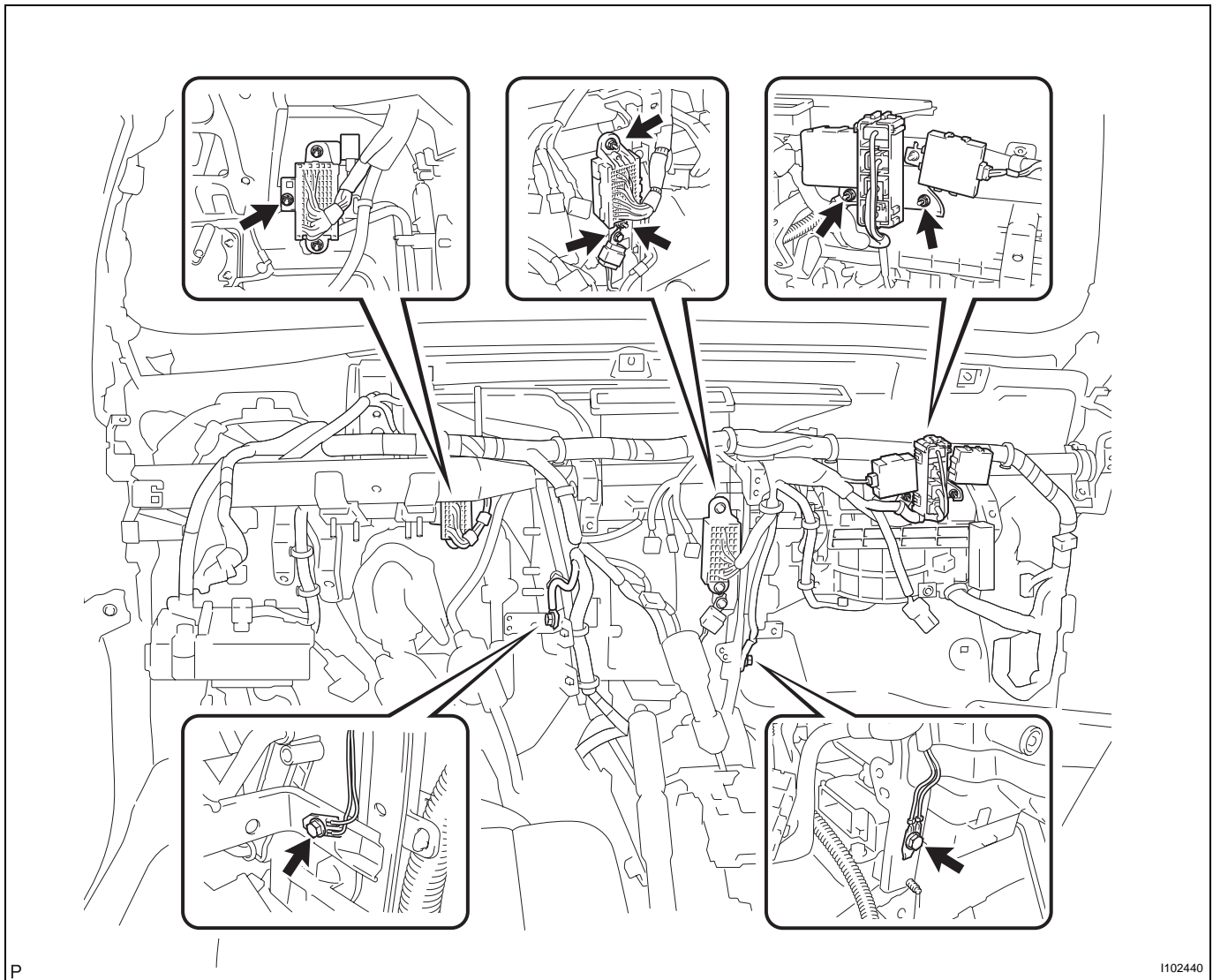
- (a) Remove the 2 nuts and remove the driver side junction block.

**82. REMOVE COOLER UNIT DRAIN HOSE**

- (a) Disconnect the cooler unit drain hose.

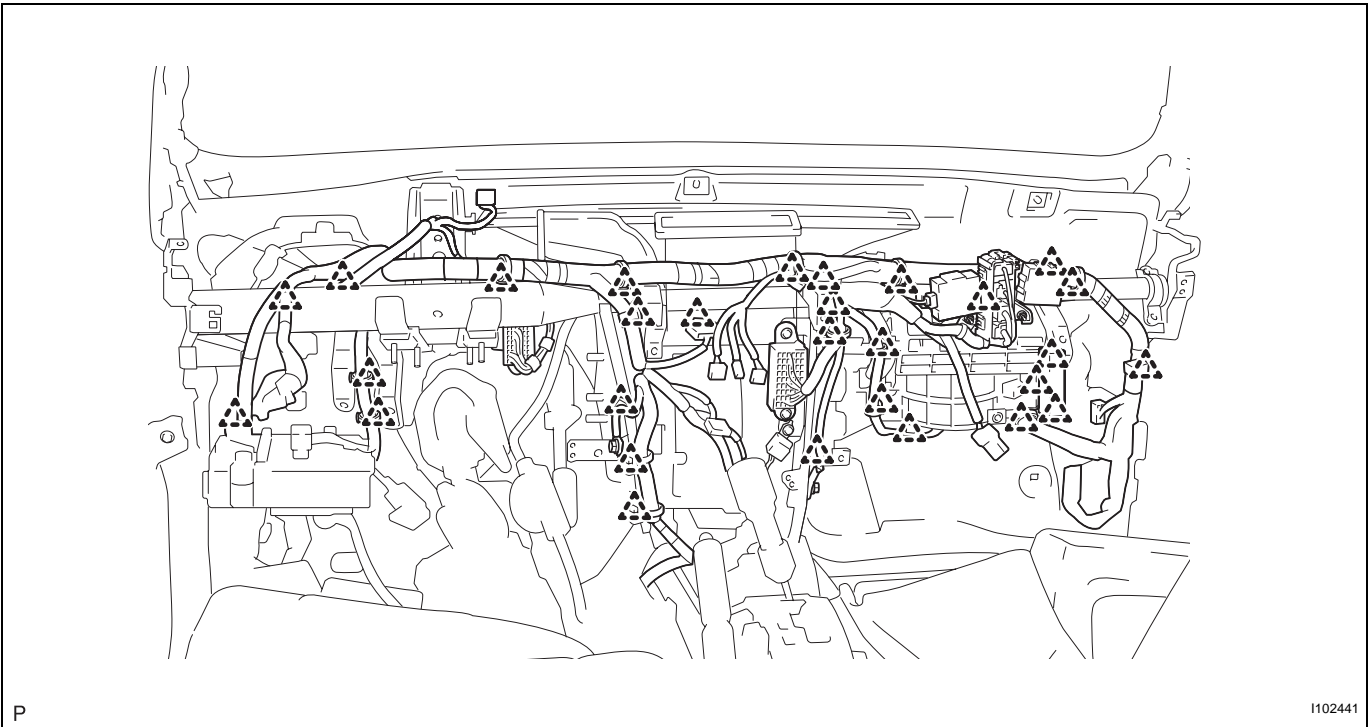
83. REMOVE INSTRUMENT PANEL REINFORCEMENT

- (a) Remove the 3 bolts and 5 nuts and disconnect the wire harness.

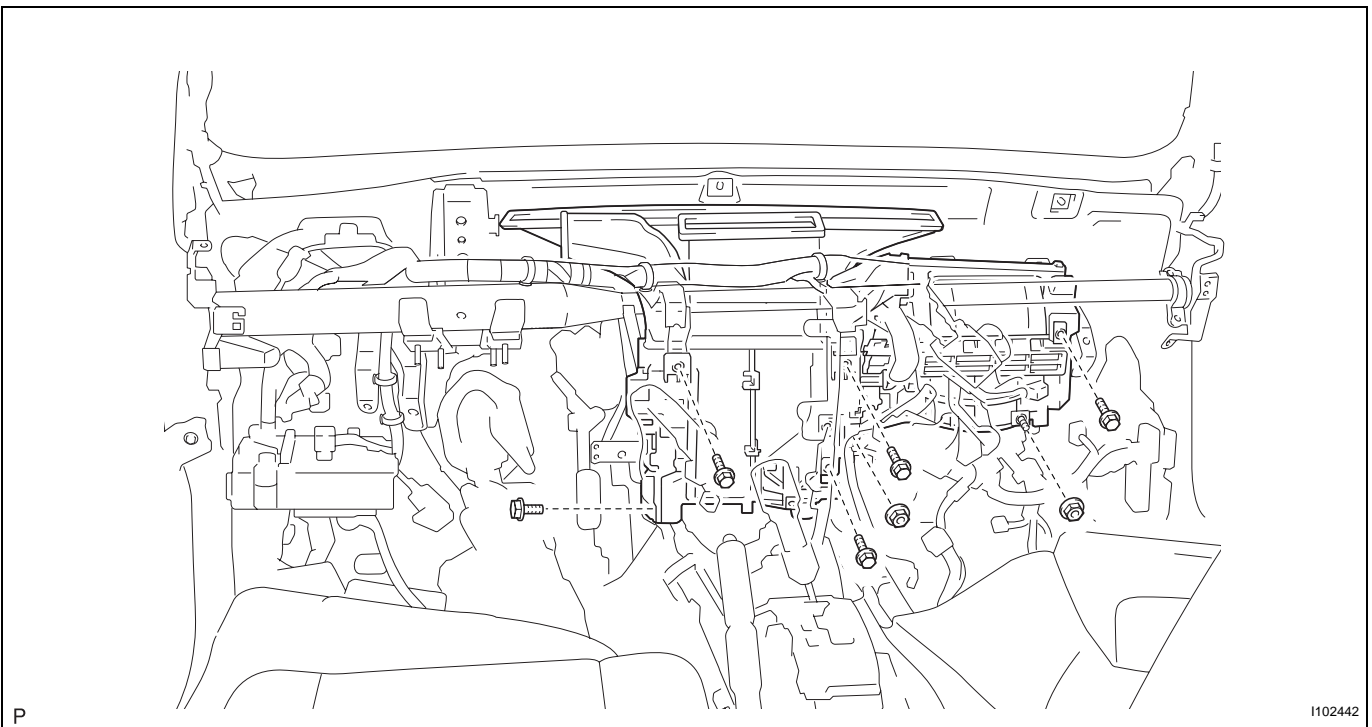


- (b) Disconnect the connectors.
- (c) Disengage the clamps.

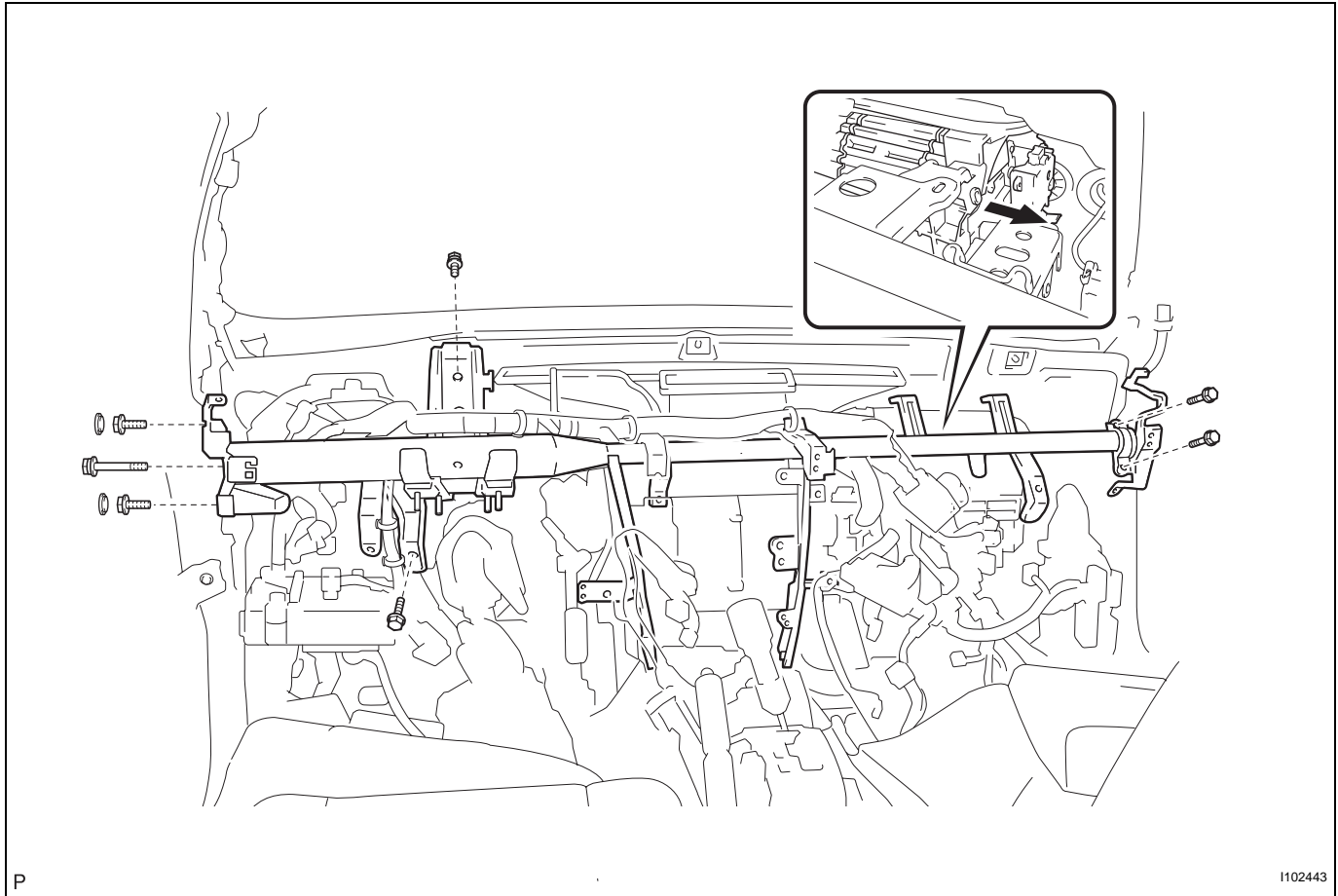
AC



- (d) Remove the 5 bolts and the 2 nuts.



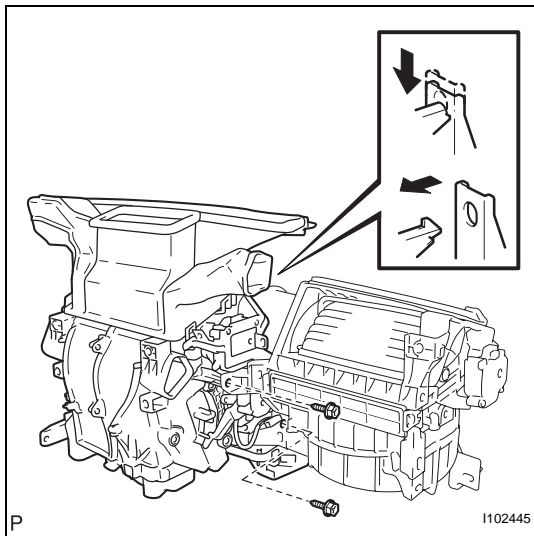
(e) Remove the 2 caps and the 7 bolts.

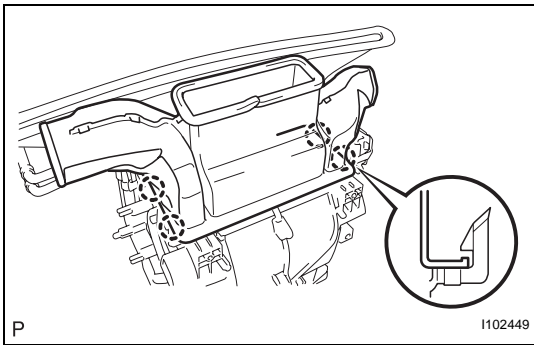


- (f) Disengage the reinforcement hook of the air conditioning unit, and remove the reinforcement.
 (g) Remove the air conditioning unit.

84. REMOVE AIR CONDITIONING UNIT ASSEMBLY

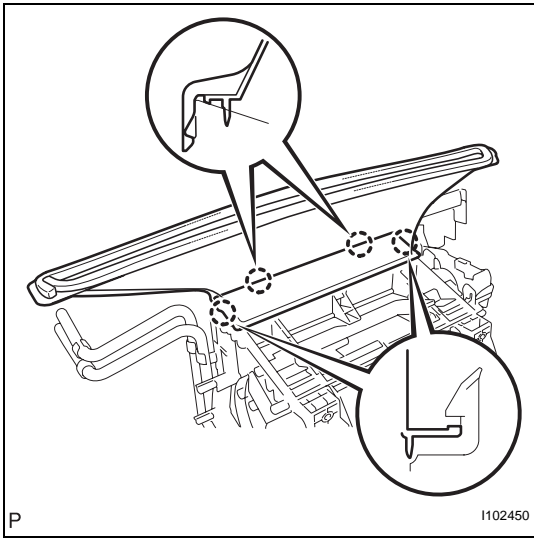
- (a) Remove the 2 screws.
 (b) Remove the air conditioning unit as shown in the illustration.





85. REMOVE HEATER TO REGISTER DUCT ASSEMBLY

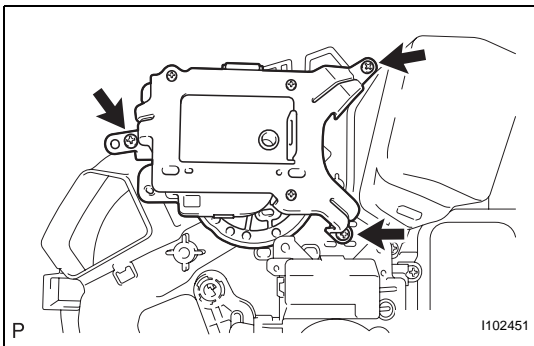
- (a) Disengage the 4 claws and remove the heater to register duct.



86. REMOVE LOWER DEFROSTER NOZZLE ASSEMBLY

- (a) Disengage the 4 claws and remove the lower defroster nozzle.

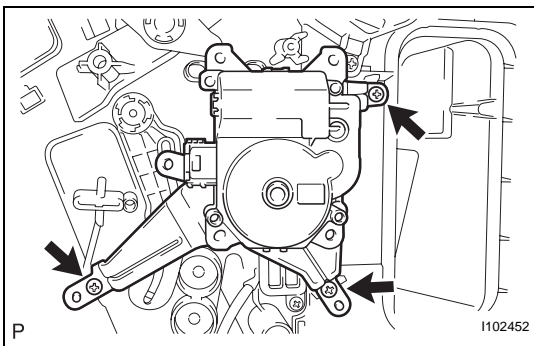
AC



DISASSEMBLY

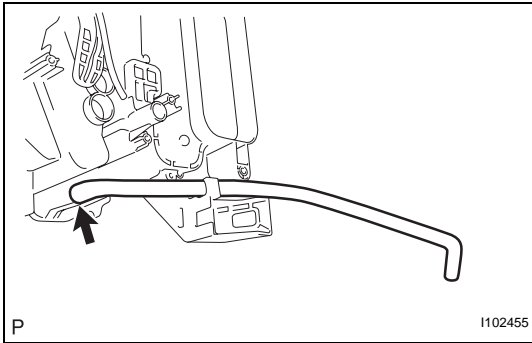
1. REMOVE MODE CONTROL SERVO MOTOR

- (a) Remove the 3 screws and remove the mode control servo motor.



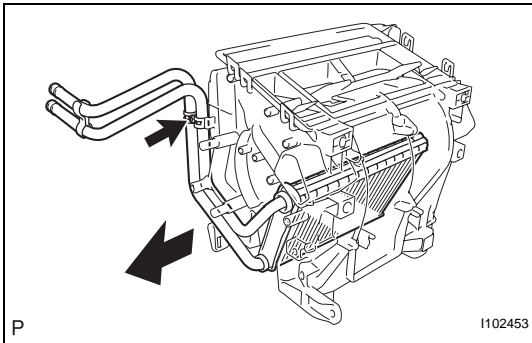
2. REMOVE AIR MIX CONTROL SERVO MOTOR

- (a) Remove the 3 screws and remove the air mix control servo motor.



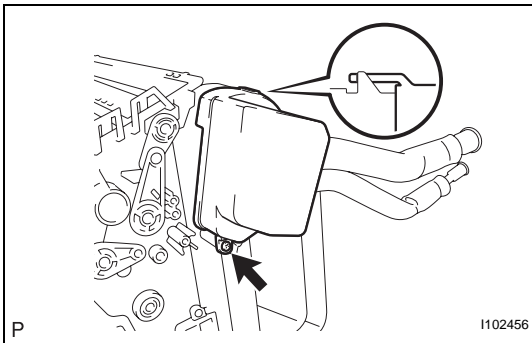
3. REMOVE COOLER UNIT DRAIN HOSE

- (a) Remove the cooler unit drain hose.



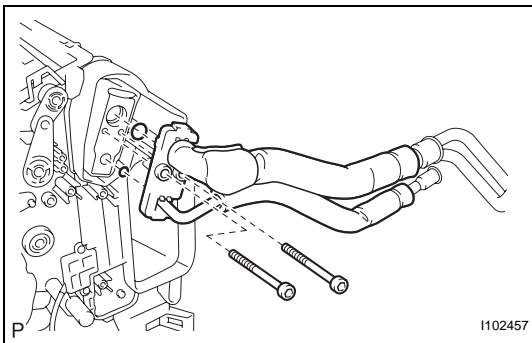
4. REMOVE HEATER RADIATOR UNIT SUB-ASSEMBLY

- (a) Remove the screw and clamp.
 (b) Remove the heater radiator unit from the heater case.



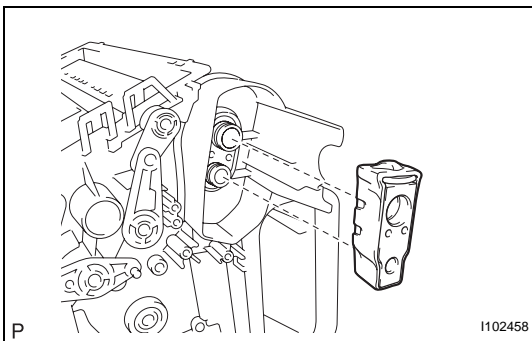
5. REMOVE COVER PLATE

- (a) Remove the screw.
 (b) Disengage the claw and remove the cover plate.



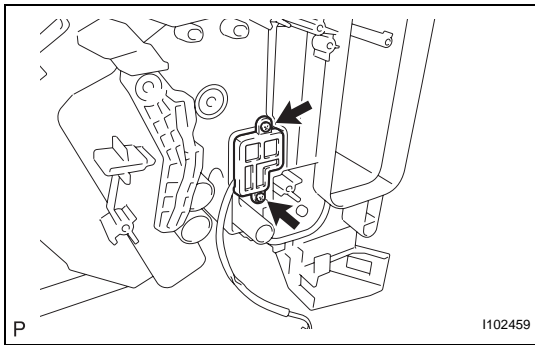
6. REMOVE AIR CONDITIONING TUBE ASSEMBLY

- (a) Using a hexagon wrench 4, remove the 2 hexagon bolts and remove the air conditioning tube.
 (b) Remove the 2 O-rings from the air conditioning tube.



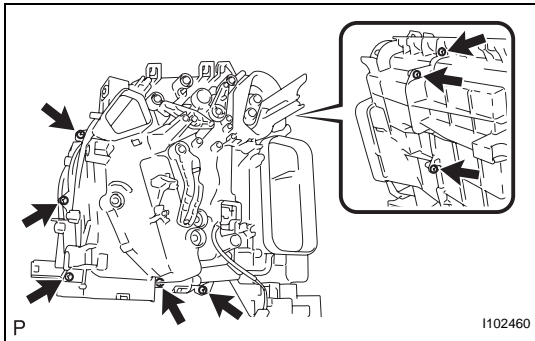
7. REMOVE COOLER EXPANSION VALVE

- (a) Remove the cooler expansion valve from the cooler evaporator.

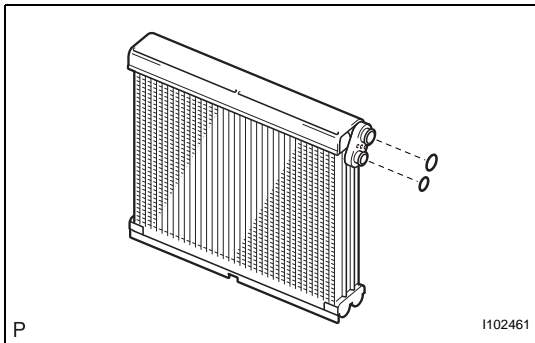


8. REMOVE NO. 1 COOLER EVAPORATOR SUB-ASSEMBLY

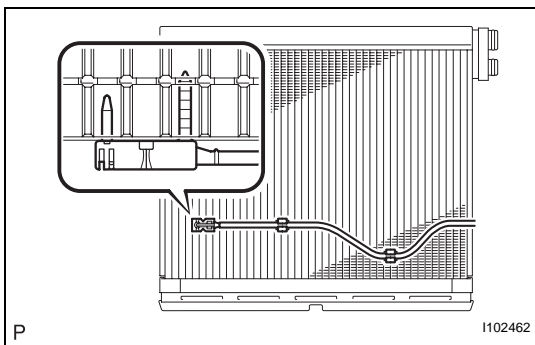
(a) Remove the 2 screws and remove the plate.



(b) Remove the 8 screws and separate the heater case.



(c) Remove the cooler evaporator.
Remove the 2 O-rings from the cooler evaporator.



9. REMOVE NO. 1 COOLER THERMISTOR

(a) Remove the cooler thermistor from the cooler evaporator.